

(19) World Intellectual Property Organization  
International Bureau



(43) International Publication Date  
7 December 2000 (07.12.2000)

PCT

(10) International Publication Number  
WO 00/73778 A1

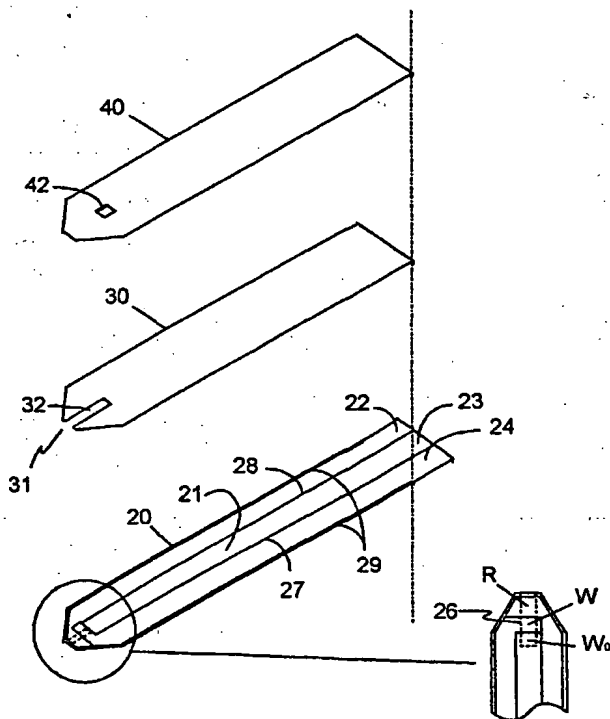
- (51) International Patent Classification<sup>7</sup>: G01N 27/327, C12Q 1/00
- (21) International Application Number: PCT/US00/15106
- (22) International Filing Date: 31 May 2000 (31.05.2000)
- (25) Filing Language: English
- (26) Publication Language: English
- (30) Priority Data:  
09/324,493 2 June 1999 (02.06.1999) US
- (71) Applicant: NOVA BIOMEDICAL CORPORATION [US/US]; 200 Prospect Street, Waltham, MA 02254 (US).
- (72) Inventors: WINARTA, Handani; 18 Hyacinth Drive, Nashua, NH 03062 (US). CAI, Xiaohua; 19 McCulloch Street, Needham, MA 02494 (US). SETO, Fung; 31

Pratt Drive, Newton, MA 02465 (US). YOUNG, Chung, Chang; 145 Buckskin Drive, Weston, MA 02193 (US).

- (74) Agent: DELEAULT, Robert, R.; Mesmer Law Offices, P.A., 41 Brook Street, Manchester, NH 03104 (US).
- (81) Designated States (*national*): AE, AL, AM, AT, AU, AZ, BA, BB, BG, BR, BY, CA, CH, CN, CR, CU, CZ, DE, DK, DM, EE, ES, FI, GB, GD, GE, GH, GM, HR, HU, ID, IL, IN, IS, JP, KE, KG, KP, KR, KZ, LC, LK, LR, LS, LT, LU, LV, MA, MD, MG, MK, MN, MW, MX, NO, NZ, PL, PT, RO, RU, SD, SE, SG, SI, SK, SL, TJ, TM, TR, TT, TZ, UA, UG, UZ, VN, YU, ZA, ZW.
- (84) Designated States (*regional*): ARIPO patent (GH, GM, KE, LS, MW, MZ, SD, SL, SZ, TZ, UG, ZW), Eurasian patent (AM, AZ, BY, KG, KZ, MD, RU, TJ, TM), European patent (AT, BE, CH, CY, DE, DK, ES, FI, FR, GB, GR, IE, IT, LU, MC, NL, PT, SE), OAPI patent (BF, BJ, CF, CG, CI, CM, GA, GN, GW, ML, MR, NE, SN, TD, TG).

[Continued on next page]

(54) Title: DISPOSABLE SUB-MICROLITER VOLUME SENSOR AND METHOD OF MAKING



(57) Abstract: A disposable electrode strip for testing a fluid sample including a laminated strip with a first and second end, a vent, an open path for receiving a fluid sample of less than one microliter beginning from the first end and connecting to the vent, a working electrode, a reference electrode and a pseudo-working electrode embedded in the laminated strip within the open path and proximate to the first end, a reagent matrix coextensive within the open path and covering the three electrodes, and conductive contacts located at the second end of the laminated strip.



WO 00/73778 A1

BEST AVAILABLE COPY



**Published:**

— With international search report.

*For two-letter codes and other abbreviations, refer to the "Guidance Notes on Codes and Abbreviations" appearing at the beginning of each regular issue of the PCT Gazette.*

## DISPOSABLE SUB-MICROLITER VOLUME SENSOR AND METHOD OF MAKING

### 5 BACKGROUND OF THE INVENTION

#### 1. Field of the Invention

The present invention relates generally to electrochemical sensors that can be used for the quantification of a specific component or analyte in a liquid  
10 sample. Particularly, this invention relates to a new and improved electrochemical sensor and to a new and improved method of fabricating electrochemical sensors. More particularly, this invention relates to a disposable electrochemical sensor that is inexpensive to manufacture. Even more particularly, this invention relates to a disposable electrochemical sensor that  
15 gives accurate readings and requires only about 0.2 microliter of fluid sample. Still even more particularly, this invention relates to disposable electrochemical sensors which are used for performing electrochemical assays for the accurate determination of analytes in physiological fluids.

#### 20 2. Description of the Prior Art

Biosensors have been used in the determination of concentrations of various analytes in fluids for more than three decades. Of particular interest is the measurement of blood glucose. It is well known that the concentration of blood glucose is extremely important for maintaining homeostasis. Products that  
25 measure fluctuations in a person's blood sugar, or glucose levels, have become everyday necessities for many of the nation's millions of diabetics. Because this disorder can cause dangerous anomalies in blood chemistry and is believed to be a contributor to vision loss and kidney failure, most diabetics need to test themselves periodically and adjust their glucose level accordingly, usually with  
30 insulin injections. If the concentration of blood glucose is below the normal range, patients can suffer from unconsciousness and lowered blood pressure which may even result in death. If the blood glucose concentration is higher than the normal range, the excess blood glucose can result in synthesis of fatty acids

and cholesterol, and in diabetics, coma. Thus, the measurement of blood glucose levels has become a daily necessity for diabetic individuals who control their level of blood glucose by insulin therapy.

Patients who are insulin dependent are instructed by doctors to check their  
5 blood-sugar levels as often as four times a day. To accommodate a normal life style to the need of frequent monitoring of glucose levels, home blood glucose testing was made available with the development of reagent strips for whole blood testing.

One type of blood glucose biosensors is an enzyme electrode combined  
10 with a mediator compound which shuttles electrons between the enzyme and the electrode resulting in a measurable current signal when glucose is present. The most commonly used mediators are potassium ferricyanide, ferrocene and its derivatives, as well as other metal-complexes. Many sensors based on this second type of electrode have been disclosed. Examples of this type of device  
15 are disclosed in the following patents.

**U.S. Patent No. 5,628,890** (1997, Carter et al.) discloses an electrode strip having an electrode support, a reference or counter electrode disposed on the support, a working electrode spaced from the reference or counter electrode on the support, a covering layer defining an enclosed space over the reference  
20 and working electrodes and having an aperture for receiving a sample into the enclosed space, and a plurality of mesh layers interposed in the enclosed space between the covering layer and the support. The covering layer has a sample application aperture spaced from the electrodes. The working electrode includes  
25 an enzyme capable of catalyzing a reaction involving a substrate for the enzyme and a mediator capable of transferring electrons between the enzyme-catalyzed reaction and the working electrode.

This device proposes to reduce the effect of hematocrit on the sensor readings. According to the disclosure, this results from the downstream spacing of the reference electrode relative to the working electrode in combination with  
30 the thin layer of the sample solution created by the mesh layers.

**U.S. Patent No. 5,708,247** (1998, McAleer et al.) discloses a disposable glucose test strip having a substrate, a reference electrode, a working electrode,

and a means for making an electrical connection. The working electrode has a conductive base layer and a coating layer disposed over the conductive base layer. The coating layer is a filler having both hydrophobic and hydrophilic surface regions which form a network, an enzyme and a mediator.

5           **U.S. Patent No. 5,682,884** (1997, Hill et al.) discloses a strip electrode with screen printing. The strip has an elongated support which includes a first and second conductor each extending along the support. An active electrode, positioned to contact the liquid mixture and the first conductor, has a deposit of an enzyme capable of catalyzing a reaction and an electron mediator. A  
10 reference electrode is positioned to contact the mixture and the second conductor.

**U.S. Patent No. 5,759,364** (1998, Charlton et al.) discloses an electrochemical biosensor having an insulating base plate bearing an electrode on its surface which reacts with an analyte to produce mobile electrons. The  
15 base plate is mated with a lid of deformable material which has a concave area surrounded by a flat surface so that when mated to the base plate there is formed a capillary space into which a fluid test sample can be drawn. The side of the lid facing the base is coated with a polymeric material which serves to bond the lid to the base plate and to increase the hydrophilic nature of the capillary space.

20           **U.S. Patent No. 5,762,770** (1998, Pritchard et al.) discloses an electrochemical biosensor test strip that has a minimum volume blood sample requirement of about 9 microliters. The test strip has a working and counter electrodes that are substantially the same size and made of the same electrically  
25 conducting material placed on a first insulating substrate. Overlaying the electrodes is a second insulating substrate which includes a cutout portion that forms a reagent well. The cutout portion exposes a smaller area of the counter electrode than the working electrode. A reagent for analysis of an analyte substantially covers the exposed areas of the working and counter electrodes in the reagent well. Overlaying the reagent well and affixed to the second insulating  
30 substrate is a spreading mesh that is impregnated with a surfactant.

**U.S. Patent No. 5,755,953** (1998, Henning et al.) discloses a reduced-interference biosensor. The device generally comprises an electrode used to

electrochemically measure the concentration of an analyte of interest in a solution. The device includes a peroxidase enzyme covalently bound to microparticle carbon and retained in a matrix in intimate contact with the electrode. According to this disclosure, it is the enzyme/microparticle carbon of  
5 the device which provides a composition which displays little sensitivity to known interfering substances.

**U.S. Patent No. 5,120,420** (1992, Nankai et al.) discloses a biosensor with a base board having an electrode system mainly made of carbon, an insulating layer, a reaction layer containing an enzyme layer thereon, a spacer and a cover.  
10 The spacer creates a channel with an inlet and an outlet for holding a sample.

**PCT Patent Application No. WO 98/35225** (1998, Heller et al.) discloses a sensor designed to determine the amount and concentration of an analyte in a sample having a volume of less than about one microliter. The sensor has facing working and reference electrodes with an optional sorbent spacer. The working  
15 electrode is coated with a reagent layer containing a non-leachable redox mediator and an enzyme. This device, which is capable of using a test sample volume of less than 1 microliter, requires the use of a sorbent material within the sample chamber in order to reduce the volume requirement and to introduce a hydrophilic character to the chamber in order for the sample to flow into such  
20 chamber.

However, most of the remaining prior art devices require a test sample volume of greater than 2 microliters. This volume of test sample can only be obtained from a patient, for example, using a needle and syringe, or by lancing a portion of the skin such as the fingertip and "milking" the area to obtain a useful  
25 sample volume. These procedures are inconvenient for the patient, and often painful, particularly when frequent samples are required. Less painful methods for obtaining a sample are known such as lancing the arm or thigh, which have a lower nerve ending density. However, lancing the body in the arm or thigh typically produces submicroliter sample volumes of blood because these areas  
30 are not heavily supplied with near-surface capillary blood vessels. Because the present invention requires as little as 0.2 microliters of blood, patients who must

make several blood glucose measurements a day may obtain blood samples from these preferred areas.

Additional shortcomings of the prior art devices are that they have a more limited linear range, usually up to about 600 mg/dL. Further, they require a  
5 relatively longer waiting time for development of a steady-state response before a reading can be achieved.

Because of the importance of obtaining accurate glucose readings, it would be highly desirable to develop a reliable and user-friendly electrochemical sensor which does not have all of the drawbacks mentioned above. Therefore  
10 what is needed is an electrochemical sensor which requires less sample volume than previously required by the prior art. What is further needed is an electrochemical sensor which has a wide linear measurement range; that is, a sensor useable over a wider glucose concentration. What is still further needed is an electrochemical sensor which has a relatively short wait time for  
15 development of a steady-state response.

#### **SUMMARY OF THE INVENTION**

It is an object of the present invention to provide an improved electrochemical sensor which combines an enzyme and a mediator. It is a further  
20 object of the present invention to provide an electrochemical sensor which requires less sample volume than previously required by the prior art. It is still another object of the present invention to provide an electrochemical sensor which can measure a small volume of sample without the use of a mesh layer in the sample path. It is yet another object of the present invention to provide an  
25 electrochemical sensor which has a wide linear measurement range and a relatively short wait time for development of a steady-state response.

The present invention achieves these and other objectives by providing an electrochemical sensor which requires a sample size of only about 0.2 microliters and does not use a mesh layer in the sample path as a means of achieving a  
30 reduced size of the sample. Further the present invention uses a reagent composition which allows readings, which correlate very closely to the analyte concentration in the fluid sample, to be taken 20 seconds after the fluid sample

enters the sample channel. The present invention has a laminated, elongated body having a sample fluid channel connected between an opening on one end of the laminated body and a vent hole spaced from the opening. The sample fluid channel is sized to optimize the quick flow of a sample such as whole blood into the channel. The rapid uptake of the sample allows the electrode reactions to reach steady-state faster, thus resulting in obtaining an analyte reading more quickly. Within the fluid channel lies at least one working electrode and a reference electrode, preferably a working electrode, a reference electrode and a pseudo-working electrode. The arrangement of the working electrode and the reference electrode is not important for purposes of the results obtained from the electrochemical sensor. The working electrode, the reference electrode and the pseudo-working electrode are each in electrical contact with separate conductive conduits, respectively. The separate conductive conduits terminate and are exposed for making an electrical connection to a reading device on the end opposite the open channel end of the laminated body.

The laminated body has a base insulating layer made from a plastic material. The base insulating layer has a conductive layer on one side. The conductive layer may be deposited on the insulating layer by screen printing, by vapor deposition, or by any method that provides for a conductive layer which adheres to the base insulating layer and substantially covers all of the base insulating layer. The vapor-deposited conductive layer is separated into conductive conduits by etching/scribing the conductive layer. The etching process may be accomplished chemically, by mechanically scribing lines in the conductive layer, by using a laser to scribe the conductive layer into separate conductive conduits, or by any means that will cause a break between and among the separate conductive conduits required by the present invention. The preferred conductive coatings are gold film or a tin oxide/gold film composition/layer.

It should be pointed out that the gold film or tin oxide/gold film itself cannot function as a reference electrode. To make the reference electrode work, there must be a redox reaction (e.g.,  $\text{Fe}(\text{CN})_6^{3-} + e^- \rightarrow \text{Fe}(\text{CN})_6^{4-}$ ) at the electrically



conducting material when a potential is applied. Therefore, a redox mediator must be present at the conducting material used for the reference electrode.

The unique feature of the present invention is its ability to measure sample sizes as small as 0.15 microliters without using opposing working and reference  
5 electrodes and a sorbent/mesh layer therebetween to reduce the required sample volume for measurement. This is possible because of the combination of material used for the base insulating layer with conductive coating, and the unique method of forming the conductive conduits thereon.

The laminated body also has a middle insulating layer on top of the base  
10 layer. The middle layer is also made of a plastic insulating material and creates the sample fluid channel of the laminated body. It contains a U-shaped cutout on one end which overlays the electrode portion of the conductive conduits on the base layer with the open end corresponding to the open end of the laminated body described earlier.

The thickness of the middle layer must be of sufficient thickness for  
15 loading a sufficient amount of chemical reagent for use as an electrochemical sensor while maintaining a flow-channel dimension having optimum blood flow characteristics. The U-shaped cutout contains chemical reagent. The chemical reagent has a redox mediator with at least one of a stabilizer, a binder, a  
20 surfactant, a buffer, and an enzyme capable of catalyzing a reaction involving a substrate for the enzyme. The redox mediator is capable of transferring electrons between the enzyme-catalyzed reaction and the working electrode. It also makes the reference electrode function.

The laminated body of the present invention has a top layer with a vent  
25 opening. The vent opening is located such that at least a portion of the vent opening overlays the bottom of the U-shaped cutout exposing a portion of the chemical reagent of the middle insulating layer. The vent allows air within the sample fluid channel to escape as the sample fluid enters the open end of the laminated body. The sample fluid generally fills the sample fluid channel by  
30 capillary action. In small volume situations, the extent of capillary action is dependent on the hydrophobic/hydrophilic nature of the surfaces in contact with the fluid undergoing capillary action. This is also known as the wettability of the

material. Capillary forces are enhanced by either using a hydrophilic insulating material to form the top layer, or by coating at least a portion of one side of a hydrophobic insulating material with a hydrophilic substance in the area of the top layer that faces the sample fluid channel between the open end of the laminated body and the vent opening of the top layer. It should be understood that an entire side of the top layer may be coated with the hydrophilic substance and then bonded to the second middle layer.

The three layers of the laminated body may be made from any dielectric material. The preferred material is a plastic material. Examples of acceptable compositions for use as the dielectric material are polyvinyl chloride, polycarbonate, polysulfone, nylon, polyurethane, cellulose nitrate, cellulose propionate, cellulose acetate, cellulose acetate butyrate, polyester, acrylic, and polystyrene.

The electrode portions, located within the sample fluid channel, contain reagent material for the working electrode (W), the reference electrode (R) and the pseudo-working electrode ( $W_0$ ). A reagent mix is disposed into the fluid channel thus covering the electrode portions of the base insulating layer and the conductive conduits. A sufficient amount of reagent mix is deposited within the U-shaped cutout of the middle insulating layer to substantially cover all of the conductive surface delineated by the U-shaped cutout. The amount of the reagent mix used is such that the reagent matrix created upon drying is sufficient for use as an electrochemical sensor yet provides enough empty space above the reagent matrix to allow rapid blood flow through the fluid channel. The reagent matrix has a redox mediator with at least one of a stabilizer, a binder, a surfactant, a buffer, and an enzyme capable of catalyzing a reaction involving a substrate for the enzyme.

The possible electrode arrangements within the sample fluid channel may be W-R- $W_0$ , W- $W_0$ -R, R-W- $W_0$ , R- $W_0$ -W,  $W_0$ -W-R or  $W_0$ -R-W with the arrangement listed as the arrangement of electrodes would appear from the open end of the laminated body to the vent opening. The preferred position was found to be R-W- $W_0$ ; that is, as the sample fluid entered the open end of the laminated body, the fluid would cover R first, then W, then  $W_0$ .

The pseudo-working electrode,  $W_0$ , is positioned so that the sample fluid reaches it last. The resulting current at  $W_0$  thus triggers the reading meter to start the measurement and analyte concentration determination process. Such an arrangement obviates reliability and accuracy problems due to an insufficient sample fluid size. It should be pointed out that  $W_0$  can also be used as a counter electrode. The resulting three-electrode system (i.e. working electrode, reference electrode and counter electrode) would be used in the case of a sample fluid having a large IR drop. It should also be pointed out that  $W_0$ , combined with R, can be used to measure the resistance of the sample fluid. The resulting resistance could be used to estimate the hematocrit of a blood sample and therefore to correct the hematocrit interference.

All of the advantages of the present invention will be made clearer upon review of the detailed description, drawings and appended claims.

15

#### **BRIEF DESCRIPTION OF THE DRAWINGS**

FIGURE 1 is a perspective view of the present invention showing the open end, the vent and the electrical contact points of the laminated body.

FIGURE 2 is an exploded, perspective view of the present invention showing the various layers of the laminated body.

FIGURES 3 is a cross-sectional view of the present invention of Fig. 1

FIGURES 4A, 4B and 4C are top views of a segment of a strip of each layer of the present invention showing the patterns for making multiple sensors of the present invention.

FIGURE 4D is a top view of a segment of the laminated strip of the present invention showing the patterns for making multiple sensors of the present invention.

30

FIGURE 5 is a correlation of sample volume on the concentration response of the present invention.

FIGURE 6 is a correlation curve of the concentration readings using sensors of the present invention versus the concentration readings of obtained on the same samples using a YSI glucose analyzer.

#### DETAILED DESCRIPTION OF THE PREFERRED EMBODIMENT

The preferred embodiment of the present invention is illustrated in FIGURES 1-6. Figure 1 shows a sensor **10** of the present invention. Sensor **10** has a laminated body **100**, a fluid sampling end **110**, an electrical contact end **120**, and a vent opening **42**. Fluid sampling end **110** includes a sample fluid channel **112** between a sampling end aperture **114** and vent opening **42**. Electrical contact end **120** has three discreet conductive contacts **122**, **123** and **124**.

Referring now to Figure 2, laminated body **100** is composed of a base insulating layer **20**, a middle layer **30**, and a top layer **40**. All layers are made of a dielectric material, preferably plastic. Examples of a preferred dielectric material are polyvinyl chloride, polycarbonate, polysulfone, nylon, polyurethane, cellulose nitrate, cellulose propionate, cellulose acetate, cellulose acetate butyrate, polyester, acrylic and polystyrene. Base insulating layer **20** has a conductive layer **21** on which is delineated a first conductive conduit **22**, a second conductive conduit **23** and a third conductive conduit **24**. Conductive conduits **22**, **23** and **24** may be formed by scribing or scoring the conductive layer **21** as illustrated in Fig. 2 and shown as scribe line **27** and **28** or by silk-screening the conductive conduits **22**, **23** and **24** onto base layer **20**. Scribing or scoring of conductive layer **21** may be done by mechanically scribing the conductive layer **21** sufficiently to create the three independent conductive conduits **22**, **23** and **24**.

The preferred scribing or scoring method of the present invention is done by using a carbon dioxide (CO<sub>2</sub>) laser, a YAG laser or an excimer laser. An additional scoring line **29** (enlarged and not to scale; for illustrative purposes only) may be

made, but is not necessary to the functionality of sensor **10**, along the outer edge of base layer **20** in order to avoid potential static problems which could give rise to a noisy signal. Conductive layer **21** may be made of any electrically  
5 base layer **20** is a tin oxide/gold polyester film (Cat. No. FM-1) or a gold polyester film (Cat. No. FM-2) sold by Courtaulds Performance Films, Canoga Park, California.

Middle layer **30** has a U-shaped channel cutout **32** located at middle layer sensor end **31**. The length of channel cutout **32** is such that when middle layer  
10 **30** is layered on top of base layer **20**, electrode areas **W**, **R** and **W<sub>0</sub>** are within the space defined by channel cutout **32**. The thickness of middle layer **30** was found to be critical for the speed of the sample fluid flow into sample fluid channel **112**, which is filled by capillary action of the sample fluid. Channel cutout **32** holds the reagent matrix **50**, more clearly shown in Fig. 3, forming the working electrode,  
15 the reference electrode and the pseudo-working electrode. Typically, the reagent matrix **50** must be loaded with a redox mediator to make the reference electrode function. If **R** is not loaded with a redox reagent or mediator, working electrode **W** and **W<sub>0</sub>** will not work. Electrode areas **W**, **W<sub>0</sub>** and **R** are loaded preferably with the same chemical reagent. The reagents preferably contain an oxidized form of  
20 a redox mediator, a stabilizer, a binder, a surfactant, a buffer, and an enzyme. Typically, the redox mediator may be at least one of ferrocene, potassium ferricyanide, other ferrocene derivatives, or other organic and inorganic redox mediators. The preferred stabilizer is polyethylene glycol, the preferred binder is methyl cellulose, the preferred surfactant is t-octylphenoxypolyethoxyethanol, and  
25 the preferred buffer is a citrate buffer. The enzyme is capable of catalyzing a reaction involving a substrate for the enzyme or a substrate catalytically reactive with an enzyme and a mediator capable of transferring electrons transferred between the enzyme-catalyzed reaction and the working electrode to create a current representative of the activity of the enzyme or substrate and  
30 representative of the compound. An example of such an enzyme is glucose oxidase.

Top layer **40**, which is placed over and coextensive with middle layer **30**, has a vent opening **42** spaced from fluid sample end **110** of sensor **10** to insure that sample fluid in fluid channel **112** will completely cover electrode areas **W**, **R** and **W<sub>0</sub>**. Vent opening **42** is placed in top layer **40** so that it will align somewhat with the bottom of channel cutout **32** of middle layer **30**, the bottom meaning the channel cutout **32** located furthest from sensor end **31**. Preferably, vent opening **42** will expose a portion of and partially overlay the bottom of the U-shaped cutout **32** of middle layer **30**. Figure 3 shows an enlarged cross-sectional view of the various layers of the present invention. The layers are not to scale in order that the relationship of each component of the present invention may be better understood by those skilled in the art, especially scribe lines **27** and **28**.

#### *Preparation of Electrode Reagent Matrix*

The electrode reagent matrix comprises the oxidized form of a redox mediator, a stabilizer, a binder, a surfactant, a buffer, and an enzyme. The oxidized form of the redox mediator, potassium ferricyanide, was found to be stable in the matrix. Suitable potassium ferricyanide is available from Sigma Chemical, St. Louis, MO (Cat. No P3667). The quantity used in the formulation must be sufficient to attain a workable linear range. The enzyme must also have sufficient activity, purity and stability. A commercially available glucose oxidase may be obtained from Biozyme, San Diego, California as Cat. No. G03A, about 270U/mg. The stabilizer must be sufficiently water-soluble and be capable of stabilizing both the mediator and the enzyme. The preferred stabilizer is polyethylene glycol (Cat. No. P4338, Sigma Chemicals, St. Louis, MO). The binder should be capable of binding all other chemicals in the reagent matrix in electrode areas **W**, **R** and **W<sub>0</sub>** to the conductive surface/layer **21** of base layer **20**. The preferred binder is Methocel 60 HG (Cat. No. 64655, Fluka Chemical, Milwaukee, WI). The buffer solution must have sufficient buffer capacity and pH value to optimize the enzyme reaction. A 0.05M citrate buffer is preferred. Citric acid and sodium citrate used in making the citrate buffer may be obtained from Sigma Chemical. The surfactant is necessary to facilitate dispensing of the

electrode reaction matrix into channel cutout **32** as well as for quickly dissolving the dry chemical reagents involved in forming the reagent matrix. The amount and type of surfactant is selected to assure the previously mentioned functions and to avoid a denaturing effect on the enzyme. The preferred surfactant is  
5 Triton X-100 available from Fluka Chemical, Milwaukee, WI (Cat. No. 94443). The reagent matrix is obtained by preparing a reagent mix as follows:

- Step 1: Prepare 50 mM citrate buffer (pH 5.7) by dissolving 0.1512 grams citric acid and 1.2580 grams sodium citrate in 100 ml of deionized water.
- 10 Step 2: Prepare a 1% methocel 60HG solution by stirring 1 gram of methocel in 100 ml of citrate buffer from Step 1 for 12 hours.
- Step 3: Add 0.3 ml of 10% Triton X-100 into the methocel solution.
- Step 4: Add 2.5 grams of polyethylene glycol into the solution from Step 3.
- Step 5: While stirring, add 6.5 grams potassium ferricyanide to the solution of  
15 Step 4.
- Step 6: Add 1.0 gram of glucose oxidase to the solution of Step 5 and stir for 10 minutes or until all solid materials are completely dissolved.

#### *Electrode Construction*

20 A piece of a gold or tin oxide/gold polyester film available from Courtaulds Performance Films is cut to shape, as illustrated in Fig. 2, forming base layer **20** of sensor **10**. A CO<sub>2</sub> laser is used to score the gold or tin oxide/gold polyester film (25W laser available from Synrad, Inc., San Diego, CA). As illustrated in Fig. 2, the film is scored by the laser creating scoring line **27** and **28** such that two  
25 electrodes at sample fluid end **110** and three contact points **122**, **123** and **124** were formed at electrical contact end **120**. The scoring line is very thin but sufficient to create two separate electrical conductors. An additional scoring line **29** made be made, but is not necessary, along the outer edge of base layer **20** to avoid potential static problems which could cause a noisy signal from the finished  
30 sensor **10**.

A piece of double-sided tape (Arcare® 7840) available from Adhesive Research, Glen Rock, PA, is cut to size and shape forming middle layer **30** with U-shaped channel **32** so that it will cover a majority of the conductive layer **21** of base layer **20** except for exposing a small electrical contact area at electrical contact end **120** illustrated in Fig. 1. The U-shaped channel **32** is cut by using the CO<sub>2</sub> laser. Middle layer **30** is then layered onto base layer **20**. As mentioned earlier, this middle layer **30** serves as a spacer and defines the size of the fluid sample channel **112**. It also defines the electrode area **26** which holds the electrode reagent matrix **50**. Its width and length is optimized to provide for a relatively quick moving fluid sample. The preferred size of U-shaped channel **32** is about 0.039 in. (1.0 mm) wide by about 0.134 in. (3.4 mm) long.

1.0 microliters of reagent mix is dispensed into channel **32** to form electrodes **W**, **R** and **W<sub>0</sub>**. The reagent mix is a mixture of a redox mediator, a stabilizer, a binder, a surfactant, a buffer, and an enzyme. The preferred composition for the reagent mix is made by mixing the following percentages (W/W%) of the following ingredients: about 6.5% potassium ferricyanide, about 2.5% polyethylene glycol, about 1% methocel 60 HG, about 0.03% Triton X-100, about 0.05M citrate buffer (pH 5.7), and about 1% glucose oxidase. After the addition of the reagent mix, the device was dried in an oven at 55 °C for about 20 minutes.

After drying, a piece of a transparency film (Cat. No. PP2200 or PP2500 available from 3M) is fashioned into top layer **40**. A rectangular vent hole **42** is made using the CO<sub>2</sub> laser previously mentioned. The preferred size of vent hole **42** is about 0.039 in. (1.0 mm) by about 0.051 in. (1.30 mm). Vent hole **42** is located approximately 0.087 in. (2.2 mm) from fluid end **110** of sensor **10**. Top layer **40** is aligned and layered onto middle layer **30** to complete the assembly, as illustrated in Fig. 1, of sensor **10**.

Although the description of electrode construction above describes construction for a single sensor, the design and materials used are ideal for making multiple sensors from one piece of each layer material as shown in Figs. 4A-4C. This is accomplished by starting with a relative large piece of base layer



20 having conducting layer 21 thereon. A plurality of scored lines 27 and 28 are made into conductive layer 21 such that a repetitive pattern, as illustrated in Fig. 4A, is created using the preferred scribing method described previously whereby each pattern will eventually define the three conductive paths 22, 23 and 24 for each sensor. Similarly, a large piece of middle layer 30 having a plurality of elongated cutouts 32 in a repetitive pattern and illustrated in Fig. 4B is layered onto base layer 20. The large piece of middle layer 30 is sized to fit over base layer 20 in such that the plurality of elongated cutouts 32 are aligned over the areas where the scribe lines 27 and 28 intersect exposing three distinct electrode areas W, R and W<sub>0</sub>, and exposing the plurality of conductive contacts 122, 123 and 124 located at the opposite edge of the strip. The size of each cutout and the amount of reagent mix disposed in each channel 32 are similar to that disclosed above. After dispensing the reagent mix into the respective cutouts, the reagent mix is dried such that each elongated cutout 32 of middle layer 30 contains a thin layer of the reagent matrix. A top layer 40 comparably-sized to and coextensive with middle layer 30 having a plurality of vent openings 42 in a repetitive pattern, as shown in Fig. 4C, is layered onto middle layer 30. Fig. 4D is a top view of the combined layers. The laminated strip created by the three layers 20, 30 and 40 has a plurality of sensors 10 that can be cut from the laminated strip. The laminated strip is cut longitudinally along line A-A' at fluid sampling end 210 to form a plurality of sampling apertures 114 and longitudinally along line B-B' at electrical contact end 220 to form a plurality of conductive contacts 122, 123 and 124. The laminated strip is cut at predetermined intervals along lines C-C' forming a plurality of individual sensors 10. Shaping of the fluid sampling end 120 of each sensor 10, as illustrated in Fig. 1, may be performed if desired. It should be understood by those skilled in the art that the order in which the laminated strip can be cut is not important. For instance, the laminated strip may be cut at the predetermined intervals (C-C') and then the cuts along A-A' and B-B' can be made to complete the process.

30

The following examples illustrate the unique features of the present invention. All sensors of the present invention were tested on a breadboard glucose meter manufactured by Nova Biomedical Corporation of Waltham, MA. A potential of 0.35 Volts was applied across the working electrode and the reference electrode and the resultant current signals were converted to glucose concentrations. The readings were compared to readings (control readings) obtained on the same samples using a YSI Glucose Analyzer (Model 2300) available from Yellow Springs Instruments, Inc., Yellow Springs, OH.

#### Example 1

##### *Demonstration of Minimum Sample Volumes Feature*

The unique design of the present invention enables the measurement of sample sizes smaller than which have heretofore been possible. Blood samples are applied to the sensors and the samples travel along the fluid sample channel to the venting hole. The blood volume required for measurement of blood glucose is determined by the channel volume. The calculated volume for the present invention is 0.22 microliters. In order to test the volume effect on sensor response, different blood sample volumes were applied to the sensors and the resulting concentration readings were plotted against volume. The test data is shown in Fig. 5.

Sensors of the present invention show no dependence of the response on the sample volume down to a volume of less than 0.22 microliters. It was found that sensors of the present invention still gave reasonable readings on sample sizes as low as 0.15 microliters. This is possible because the hydrophilic character of the Reagent Matrix applied to W, R and W<sub>0</sub> permitted the sample to cover the electrode areas even though the blood volume did not fill the entire sample channel.

#### Example 2

##### *Demonstration of Wide Linear Range and Precision Feature*

A sample of venous blood was collected and separated into several aliquots. Each aliquot was spiked with different glucose concentrations ranging

from 35 to 1000 mg/dL. The aliquots were each measured with a YSI glucose analyzer and then with sensors of the present invention using the Nova glucose meter. Sensors of the present invention show a linear relationship of current response vs. glucose concentration from 35 to 1000 mg/dL. The concentration  
5 readings were plotted against the concentration values obtained using the YSI meter (the control) and are illustrated in Fig. 6.

A regression coefficient of 0.9976 indicated a near perfect match with the readings obtained with the YSI blood glucose analyzer. The same aliquots were tested using four different commercially-available sensors with their  
10 accompanying meters. The commercially-available sensors showed a linear response only up to about 600 mg/dL. Above the 500-600 mg/dL range, all commercially available sensors displayed "Hi" as the test result.

The precision of the sensors of the present invention was investigated at the same glucose level range from about 35 to 1000 mg/dL. Four different  
15 batches of sensors of the present invention were used in the precision tests. Typically, the relative standard deviation was about 5.0% and 3.6% for samples containing 100 and 300 mg/dL levels of glucose, respectively.

What is claimed is:

1. A disposable electrode strip for testing a fluid sample comprising:
  - a laminated strip having a first strip end, a second strip end and a vent opening spaced from said first strip end, said laminated strip comprising a base layer having a conductive layer disposed thereon and scribed to delineate three electrode paths, a channel forming layer carried on said base layer, and a cover;
  - an enclosed channel between said first strip end and said vent opening, said enclosed channel sized to hold a volume of said fluid sample less than one microliter;
  - a reagent matrix containing at least an enzyme and a redox mediator disposed on said base layer in said enclosed channel;
  - conductive contacts at said second strip end and insulated from said enclosed channel.
2. The electrode strip of Claim 1 wherein said enzyme is glucose oxidase.
3. The electrode strip of Claim 1 wherein said redox mediator is at least one metal complex.
4. The electrode strip of Claim 3 wherein said redox mediator is potassium ferricyanide and other inorganic and organic redox mediators.
5. The electrode strip of Claim 1 wherein said conductive coating is gold.
6. The electrode strip of Claim 1 wherein said conductive coating comprising gold and tin oxide.
7. The electrode strip of Claim 1 wherein said base layer, said channel forming layer and said cover are made of a plastic dielectric material.

8. The electrode strip of Claim 7 wherein said plastic material is selected from the group consisting of polyvinyl chloride, polycarbonate, polysulfone, nylon, polyurethane, cellulose nitrate, cellulose propionate, cellulose acetate, cellulose acetate butyrate, polyester, acrylic, and polystyrene.
- 5
9. The electrode strip of Claim 1 wherein said enclosed channel is hydrophilic.
10. The electrode strip of Claim 1 wherein said enclosed channel has a volume of about 0.22 microliters.
- 10
11. The electrode strip of Claim 1 wherein said cover has a hydrophilic coating on at least one side.
12. The electrode strip of Claim 1 wherein said reagent matrix further contains at least one of a stabilizer, a binder, a surfactant, and a buffer.
- 15
13. The electrode strip of Claim 12 wherein said stabilizer is a polyalkylene glycol, said binder is a cellulose material, and said surfactant is a polyoxyethylene ether.
- 20
14. The electrode strip of Claim 13 wherein said stabilizer is polyethylene glycol, said binder is methyl cellulose, said surfactant is t-octylphenoxyethoxyethanol, and said buffer is a citrate buffer.
- 25
15. The electrode strip of Claim 14 wherein said reagent matrix is made from a mixture having starting components comprising about 1wt% to about 6.5wt% of said redox mediator, about 2.5wt% of said stabilizer, about 1wt% of said binder, about 0.03wt% of said surfactant, and about 1wt% of said enzyme in said citrate buffer.
- 30
16. The electrode strip of Claim 15 wherein said citrate buffer is about 0.05M.

17. The electrode strip of Claim 1 wherein said channel forming layer has a thickness sufficient to optimize the flow of said fluid sample along said open path.
- 5 18. The electrode strip of Claim 17 wherein said thickness is about 0.0035 inches (0.089 mm).
19. The electrode strip of Claim 15 wherein said potassium ferricyanide is 6.5wt%.
- 10 20. The electrode strip of Claim 15 wherein said enzyme is glucose oxidase.
21. The electrode strip of Claim 1 wherein said enclosed channel contains a working electrode, a pseudo-working electrode and a reference electrode.
- 15 22. The electrode strip of Claim 21 wherein said pseudo-working electrode is a counter electrode.
23. The electrode strip of Claim 21 wherein said pseudo-working electrode is a triggering electrode.
- 20 24. The electrode strip of Claim 21 wherein said pseudo-working electrode and said reference electrode pair are a resistance-measuring electrode pair.
- 25 25. A disposable electrode strip for detecting or measuring the concentration of an analyte in a fluid sample, said electrode strip comprising:
- an insulating base strip having a first base end and a second base end;
- a conductive layer disposed on one side of said base strip and scribed to delineate a pattern of three electrically-distinct conductive paths;
- 30 a middle insulator sized smaller than said insulating base strip and overlaying a substantial portion of said conductive layer, said middle

insulator having a cutout portion spaced from said first base end and exposing a limited area of said three conductive paths;

an electrode material comprising an enzyme, a redox mediator, a stabilizer, a binder, a surfactant, and a buffer, said electrode material being  
5 disposed in said cutout portion; and

a covering insulator sized to fit over and be coextensive with said middle insulator creating a sample fluid channel, said covering insulator having a covering insulator aperture spaced from said first base end and configured to expose at least a small portion of said cutout portion  
10 of said middle insulator.

26. The strip of Claim 25 wherein said sample fluid channel has a volume of about 0.22 microliters.

15 27. The strip of Claim 25 wherein said sample fluid channel is hydrophilic.

28. The strip of Claim 25 wherein said redox mediator is at least one metal complex selected from the group consisting of ferrocene, ferrocene derivatives and potassium ferricyanide, said stabilizer is a polyalkylene glycol, said binder is a cellulose material, said surfactant is a  
20 polyoxyethylene ether, and said buffer has a pH of about 5 to about 6.

29. The strip of Claim 28 wherein said mediator is potassium ferricyanide, said stabilizer is polyethylene glycol, said binder is methyl cellulose, said surfactant is t-octylphenoxypolyethoxyethanol, and said buffer is a citrate  
25 buffer.

30. The strip of Claim 29 wherein said electrode material is made of a mixture having starting components comprising about 6.5wt% of said potassium ferricyanide, about 2.5wt% of said polyethylene glycol, about 1wt% of said methyl cellulose, and about 0.03wt% of said t-

octylphenoxypolyethoxyethanol, and about 1wt% of said enzyme in said citrate buffer.

31. The strip of Claim 30 wherein said enzyme is glucose oxidase.
32. The strip of Claim 25 wherein said insulating base strip, said middle  
5 insulator, and said covering insulator are made from a plastic material selected from the group consisting of polyvinyl chloride, polycarbonate, polysulfone, nylon, polyurethane, cellulose nitrate, cellulose propionate, cellulose acetate, cellulose acetate butyrate, polyester, acrylic, and polystyrene.
- 10 33. The electrode strip of Claim 25 wherein said sample fluid channel contains a working electrode, a pseudo-working electrode and a reference electrode.
34. The electrode strip of Claim 33 wherein said pseudo-working electrode is a counter electrode.
- 15 35. The electrode strip of Claim 33 wherein said pseudo-working electrode is a triggering electrode.
36. The electrode strip of Claim 33 wherein said pseudo-working electrode and  
20 said reference electrode pair are a resistance-measuring electrode pair.
37. A method of making multiple, disposable sensors wherein each sensor has at least a working electrode, a reference electrode, a pseudo-working electrode, and a reagent matrix, wherein said reagent matrix contains an enzyme capable of catalyzing a reaction involving a substrate for the  
25 enzyme, said working electrode and said reference electrode being disposed in a fluid sample channel for measuring a fluid sample, said method comprising:



obtaining a base strip of an insulating material having a layer of conductive material disposed thereon, said base strip having a first edge and a second edge;

5 scribing in said conductive material a plurality of lines in a repetitive pattern wherein said plurality of lines contain a repetitive pattern capable of forming three conductive paths in each of said repetitive pattern;

10 disposing a middle layer of insulating material over said base strip, said middle layer having a repetitive pattern of an elongated cutout wherein each cutout of each of said repetitive pattern exposes an electrode portion of each of said three conductive paths of each repetitive pattern wherein said repetitive pattern of said elongated cutout are spaced from said first edge of said base strip, and wherein said middle layer is sized to expose a contact portion of each of said two conductive paths of each repetitive pattern for a distance from said second edge of said base strip;

15 disposing an reagent material into each elongated cutout of said repetitive pattern;

20 drying said reagent material at a temperature and for a length of time sufficient to solidify said reagent material in each of said elongated cutout;

25 disposing a top layer of insulating material over and coextensive with said middle layer, said top layer having a plurality of vent openings in a repetitive pattern wherein each of said vent openings exposes a portion of a corresponding repetitive pattern of said elongated cutout of said middle layer furthest from said first edge of said base strip, said base strip, said middle layer and said top layer forming a laminated strip;

cutting along and parallel to said first edge of said laminated strip a predetermined distance creating a sample inlet port in each of said elongated cutout for each of said repetitive pattern;

cutting along and parallel to said second edge of said laminated strip a  
predetermined distance creating two separate contacts for each of said  
repetitive pattern; and

5 separating each of said repetitive pattern at predetermined intervals along  
said laminated strip.

38. The method of Claim 37 wherein said drying step further includes heating  
said reagent material at a temperature of about 55 °C.

39. The method of Claim 38 wherein said drying step further includes heating  
said reagent material for about two minutes.

10

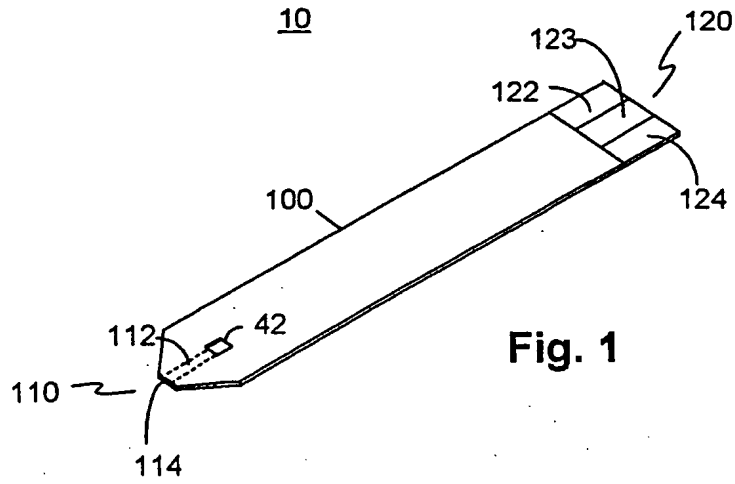


Fig. 1

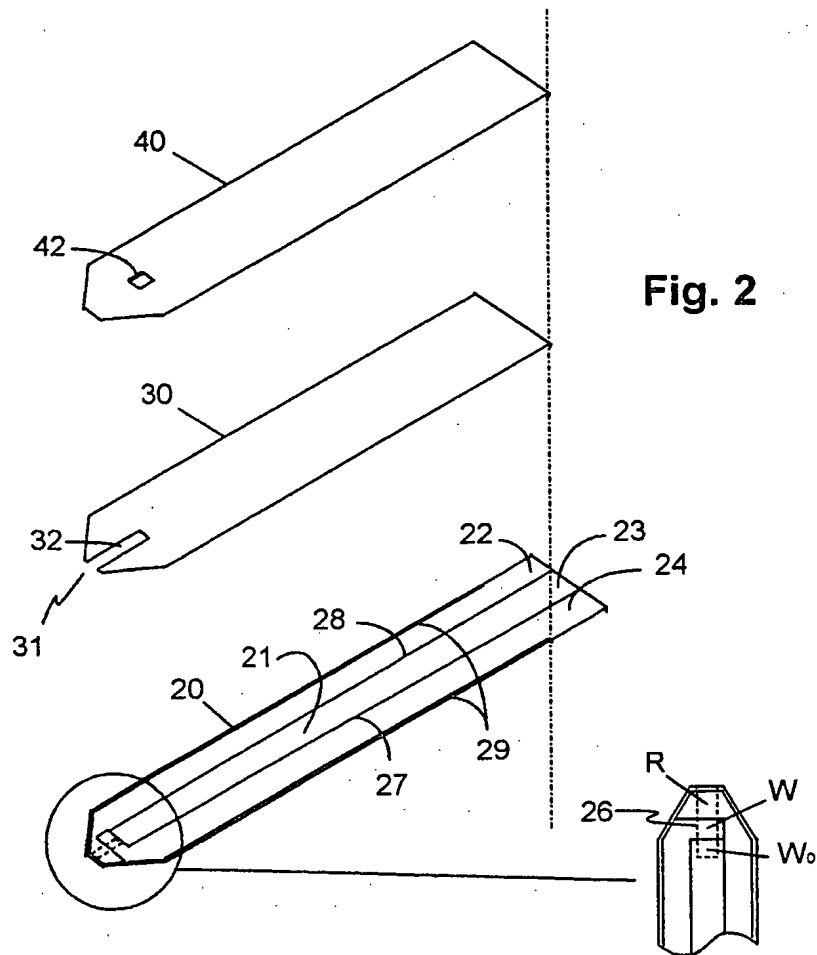


Fig. 2

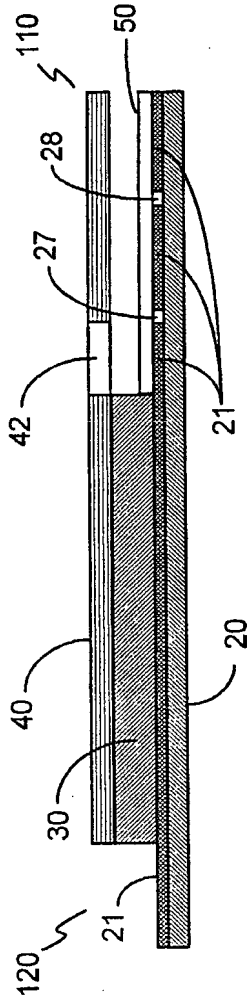


Fig. 3

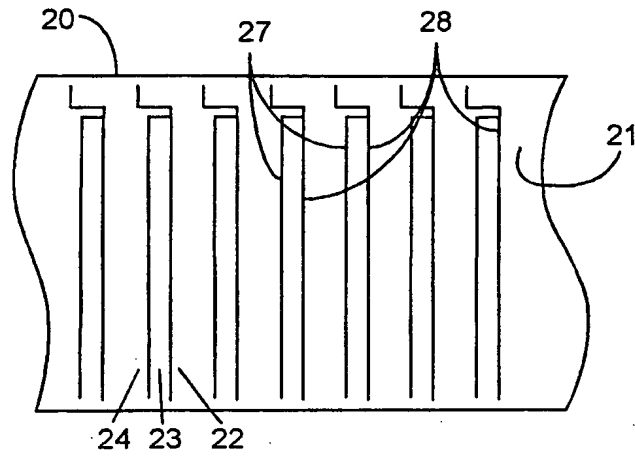


Fig. 4 A

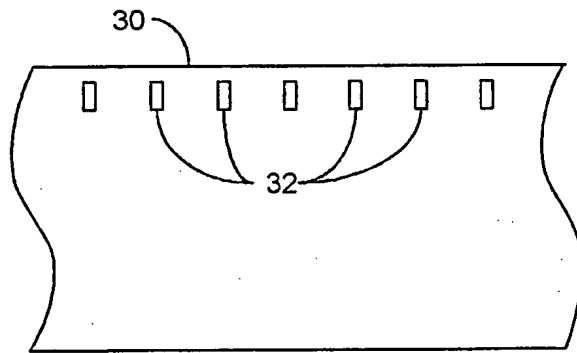


Fig. 4 B

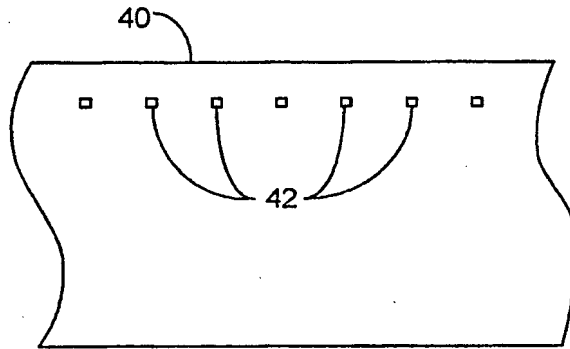


Fig. 4 C

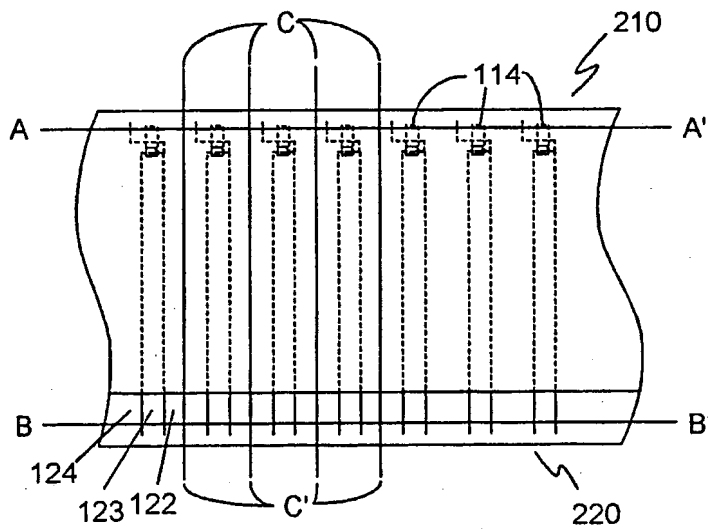


Fig. 4 D

VOLUME STUDY

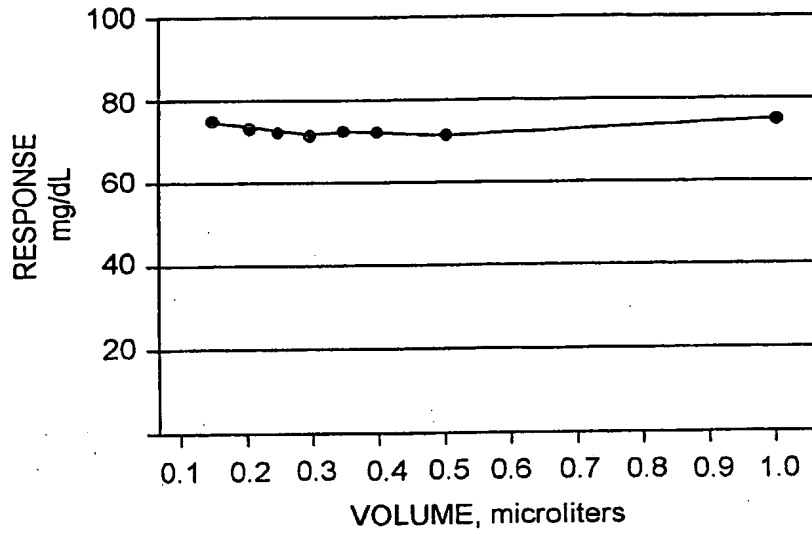


Fig. 5

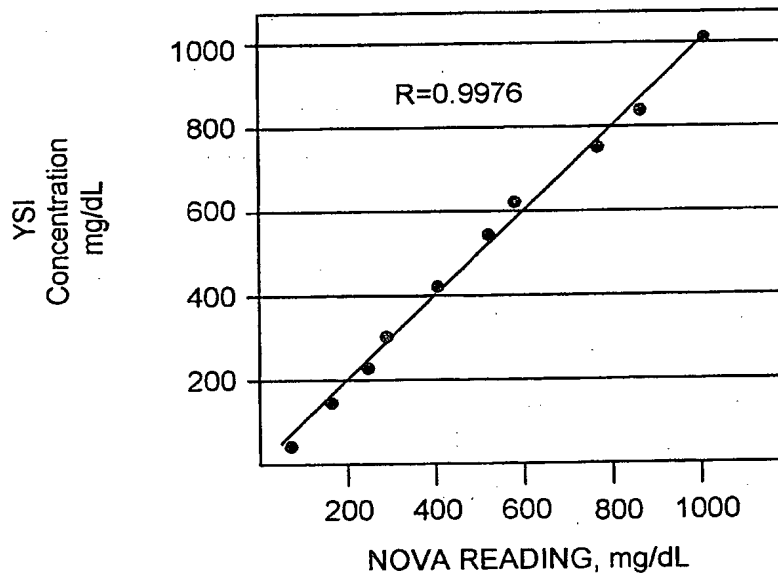


Fig. 6

INTERNATIONAL SEARCH REPORT

Internationa Application No

PCT/US 00/15106

A. CLASSIFICATION OF SUBJECT MATTER  
IPC 7 G01N27/327 C12Q1/00

According to International Patent Classification (IPC) or to both national classification and IPC

B. FIELDS SEARCHED

Minimum documentation searched (classification system followed by classification symbols)  
IPC 7 C12Q A61B G01N

Documentation searched other than minimum documentation to the extent that such documents are included in the fields searched

Electronic data base consulted during the international search (name of data base and, where practical, search terms used)

WPI Data, PAJ, EPO-Internal, COMPENDEX, BIOSIS

C. DOCUMENTS CONSIDERED TO BE RELEVANT

Category *	Citation of document, with indication, where appropriate, of the relevant passages	Relevant to claim No.
X	PATENT ABSTRACTS OF JAPAN vol. 1997, no. 11, 28 November 1997 (1997-11-28) & JP 09 189675 A (MATSUSHITA ELECTRIC IND CO LTD), 22 July 1997 (1997-07-22) abstract	1-8, 21-24, 37-39
X	US 5 437 999 A (DIEBOLD ERIC R ET AL) 1 August 1995 (1995-08-01)  column 1, line 66 -column 2, line 33 column 3, line 29 - line 45 column 12, line 35 -column 13, line 8 table 1	1-9, 11, 12, 17, 20, 25-27, 31, 32, 37-39

Further documents are listed in the continuation of box C.

Patent family members are listed in annex.

\* Special categories of cited documents :

- "A" document defining the general state of the art which is not considered to be of particular relevance
- "E" earlier document but published on or after the international filing date
- "L" document which may throw doubts on priority claim(s) or which is cited to establish the publication date of another citation or other special reason (as specified)
- "O" document referring to an oral disclosure, use, exhibition or other means
- "P" document published prior to the international filing date but later than the priority date claimed

- "T" later document published after the international filing date or priority date and not in conflict with the application but cited to understand the principle or theory underlying the invention
- "X" document of particular relevance; the claimed invention cannot be considered novel or cannot be considered to involve an inventive step when the document is taken alone
- "Y" document of particular relevance; the claimed invention cannot be considered to involve an inventive step when the document is combined with one or more other such documents, such combination being obvious to a person skilled in the art.
- "&" document member of the same patent family

Date of the actual completion of the international search

14 September 2000

Date of mailing of the international search report

22/09/2000

Name and mailing address of the ISA

European Patent Office, P.B. 5818 Patentlaan 2  
NL - 2280 HV Rijswijk  
Tel. (+31-70) 340-2040, Tx. 31 651-epo nl,  
Fax: (+31-70) 340-3016

Authorized officer

Muñoz, M



# INTERNATIONAL SEARCH REPORT

Information on patent family members

International Application No  
PCT/US 00/15106

Patent document cited in search report	Publication date	Patent family member(s)	Publication date
JP 09189675 A	22-07-1997	US 6004441 A	21-12-1999
US 5437999 A	01-08-1995	CA 2183865 A	24-08-1995
		EP 0753051 A	15-01-1997
		JP 9509740 T	30-09-1997
		WO 9522597 A	24-08-1995

**This Page Blank (uspto)**

**This Page is Inserted by IFW Indexing and Scanning  
Operations and is not part of the Official Record**

**BEST AVAILABLE IMAGES**

Defective images within this document are accurate representations of the original documents submitted by the applicant.

Defects in the images include but are not limited to the items checked:

- BLACK BORDERS**
- IMAGE CUT OFF AT TOP, BOTTOM OR SIDES**
- FADED TEXT OR DRAWING**
- BLURRED OR ILLEGIBLE TEXT OR DRAWING**
- SKEWED/SLANTED IMAGES**
- COLOR OR BLACK AND WHITE PHOTOGRAPHS**
- GRAY SCALE DOCUMENTS**
- LINES OR MARKS ON ORIGINAL DOCUMENT**
- REFERENCE(S) OR EXHIBIT(S) SUBMITTED ARE POOR QUALITY**
- OTHER:** \_\_\_\_\_

**IMAGES ARE BEST AVAILABLE COPY.**

**As rescanning these documents will not correct the image problems checked, please do not report these problems to the IFW Image Problem Mailbox.**

**This Page Blank (uspto)**